



Electrolux
PROFESSIONAL

**Modular Cooking Range Line
thermaline 85 - 500 mm Cupboard
base with 1 door, GN conform, 1 Side**

ITEM # _____

MODEL # _____

NAME # _____

SIS # _____

AIA # _____



588645 (MBIPCAE000) Cupboard Base with 1 door, one-side operated, GN

Short Form Specification

Item No. _____

500 mm wide cupboard base with 1 door Internal frame for heavy duty sturdiness in stainless steel. Flat surface construction, easily cleanable. Cupboard storage space accepts GN 1/1 containers. IPX5 water resistant certification.
Configuration: One side operated freestanding base.

Main Features

- All major components may be easily accessed from the front.
- THERMODUL connection system creates a seamless work top when units are connected to each other thus avoiding soil penetrating vital components and facilitating the removal of units in case of replacement or service.
- Cupboard compartment for storage of pots, pans, sheet pans etc.
- Unit constructed according to DIN 18860_2 with 70 mm recessed plinth.

Construction

- Hygienic design of the base cupboard with large round edges.
- IPX5 water resistance certification.
- 2 mm top in 1.4301 (AISI 304).
- Flat surface construction with minimal hidden areas to easily clean all surfaces
- Rounded corners and edges aid cleaning.
- Storage space in the base of the appliance accepts GN1/1 containers.
- Internal frame for heavy duty sturdiness in stainless steel.

Optional Accessories

- Stainless steel front kicking strip, 500mm width PNC 912631
- Stainless steel side kicking strip left and right, wall mounted, 850mm width PNC 912659
- Stainless steel side kicking strip left and right, back-to-back, 1700mm width PNC 912662
- Stainless steel side panel, 850x700mm, right side, against wall PNC 913003
- Stainless steel side panel, 850x700mm, left side, against wall PNC 913004
- Perforated shelf for warming cabinets and cupboard bases (one-side operated TL80-85-90 and two-side operated for TL80) PNC 913233
- Side reinforced panel only in combination with side shelf, for against the wall installations, right PNC 913261
- Side reinforced panel only in combination with side shelf, for against the wall installations, left PNC 913262
- Shelf fixation for TL80-85-90 one-side operated, TL80 two-side operated PNC 913279

APPROVAL: _____

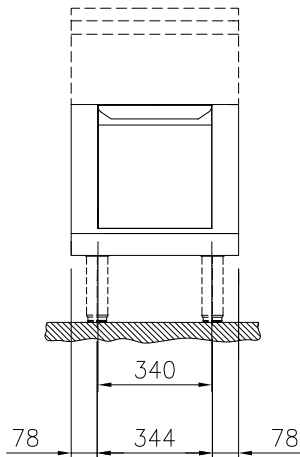


Experience the Excellence
www.electroluxprofessional.com



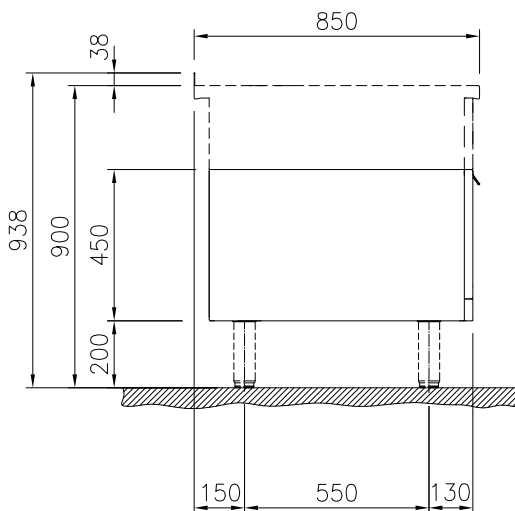
- Stainless steel dividing panel, 850x700mm, (it should only be used between Electrolux Professional thermaline Modular 85 and thermaline C85) PNC 913670
- Stainless steel side panel, 850x700mm, flush-fitting (it should only be used against the wall, against a niche and in between Electrolux Professional thermaline and ProThermetic appliances and external appliances - provided that these have at least the same dimensions) PNC 913686

Front


Key Information:

| | |
|--------------------------------------|--------|
| External dimensions, Width: | |
| 588645 (MB1PCE000) | 500 mm |
| External dimensions, Depth: | 850 mm |
| External dimensions, Height: | 450 mm |
| Cupboard Cavity Dimensions (width): | 340 mm |
| Cupboard Cavity Dimensions (height): | 330 mm |
| Cupboard Cavity Dimensions (depth): | 715 mm |
| Net weight: | 22 kg |

Side



Top

